



PROJECT		REF		REV	ITEM CODE	
LOCATION		DATE			PAGE	

SANITARY WARE SPECIFICATION SHEET

Item Descriptions	GROHE (Germany) "Essence" Single-lever brushed warm sunset free stand bath mixer with single functions hand spray ; nominated flow rate 6.3 L/min in WELS Grade 1; Registration No. SB 18-0030
Dimensions	L170 x W277 x H884 mm
Model	23491DL1 (Mixer) 45984001 (Mounting box)
Finish	Brushed Warm Sunset
Manufacturer	GROHE Limited
Supplier	Acme Sanitary Ware Co. Ltd Mr. Eric Wong/ Mr. Don Yuen
Contact Tel/Fax	(852) 2388-7171 / (852) 2710-8012
E-mail	acme@acmesanitary.com.hk
Website	www.acmesanitary.com.hk

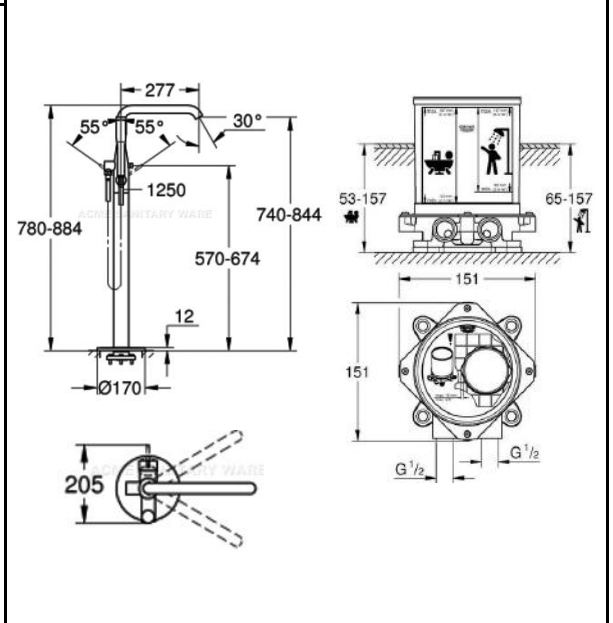


Dynamic flow pressure (kPa)	50	150	250	350	500
Flow rate (l/min)	4.35	6.35	6.23	6.45	6.80

Essence
 Single-lever bath mixer 1/2", floor mounted set for final installation for 45 984 without roughing-in-set
GROHE SilkMove 35 mm ceramic cartridge with temperature limiter
GROHE StarLight finish
 automatic diverter: bath/shower
 swivel spout with mousseur and stop limiter
 projection 277 mm
 integrated non-return valve in the shower outlet 1/2" with shower holder
 hand shower Euphoria Cosmopolitan Stick (27 806 000) 7.6 l/min.
 Silverflex shower hose 1250 mm 1/2" x 1/2" (28 362)
 protected against backflow
 min. recommended pressure 1.0 bar

- 1 Spray: Normal
- Metal
- GROHE EcoJoy 1.75 gpm (6.6 l/min) flow limiter
- GROHE DreamSpray perfect spray pattern
- GROHE StarLight chrome finish
- SpeedClean anti-lime system
- Inner WaterGuide for a longer life
- Universal mounting system (fits all standard shower hoses)
- Suitable for instantaneous heater

for floor-mounted bath mixers/spouts and shower mixers
 without finishing trim set
 installation plate with 360° horizontal and 3° vertical adjustment
 installation depth 53-157 mm for bath mixers/spouts, depth compensation 104 mm
 installation depth 65-157 mm for shower mixers, depth compensation 92 mm
 two 1/2" female connections (hot/cold supplies)
 flushing plug
 Can take a single mixed supply
 GROHE Fresh retrofit set:
 enables access to concealed cistern to add a cleaning tablet (chlorine free tablets only)



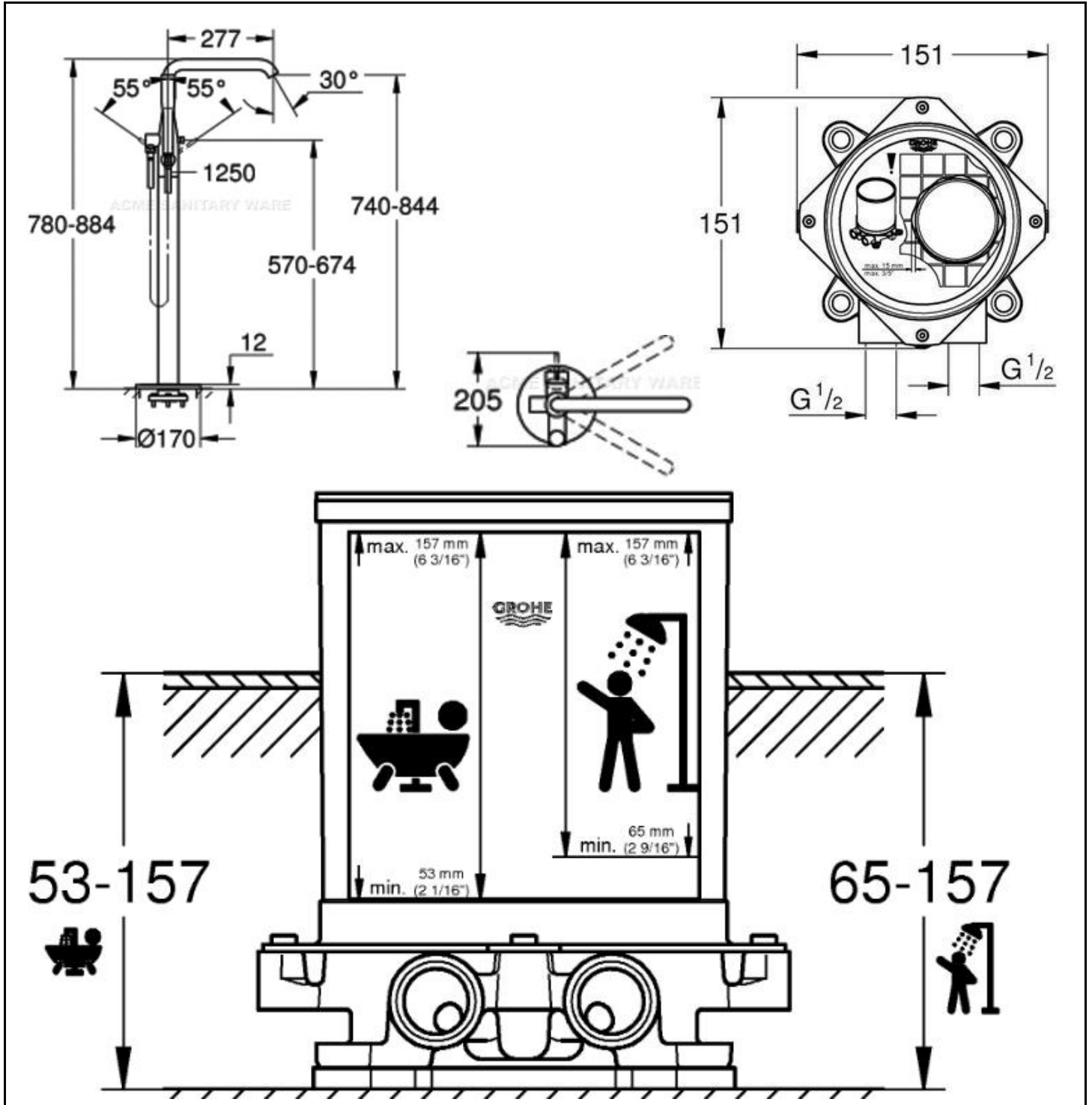
- Colour options:**
- 001 | StarLight Chrome
 - DC1 | SuperSteel
 - DA1 | Warm Sunset
 - A01 | Hard Graphite
 - AL1 | Brushed Hard Graphite
 - GL1 | Cool Sunrise
 - GN1 | Brushed Cool Sunrise
 - DL1 | Brushed Warm Sunset
 - BE1 | Polished Nickel
 - EN1 | Brushed Nickel

* All information of the above is for the reference only. No prior notice is made if any changes.



PROJECT		REF		REV	ITEM CODE	
LOCATION		DATE			PAGE	

SANITARY WARE SPECIFICATION SHEET



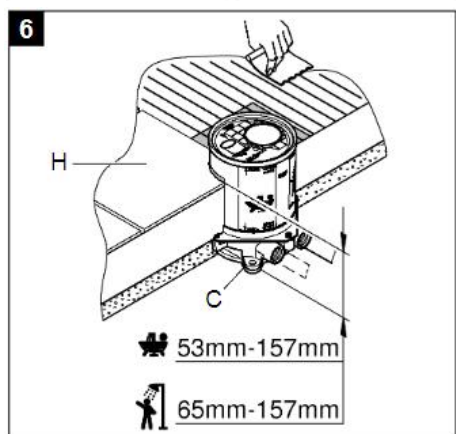
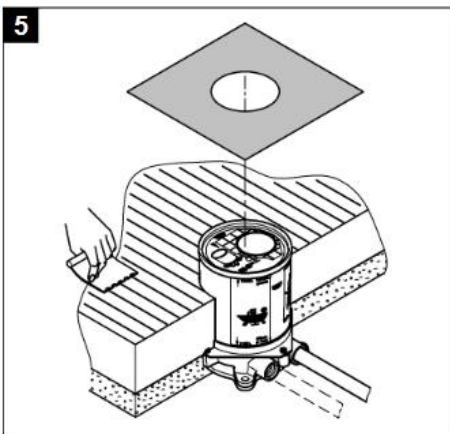
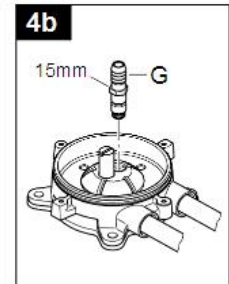
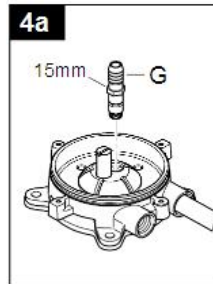
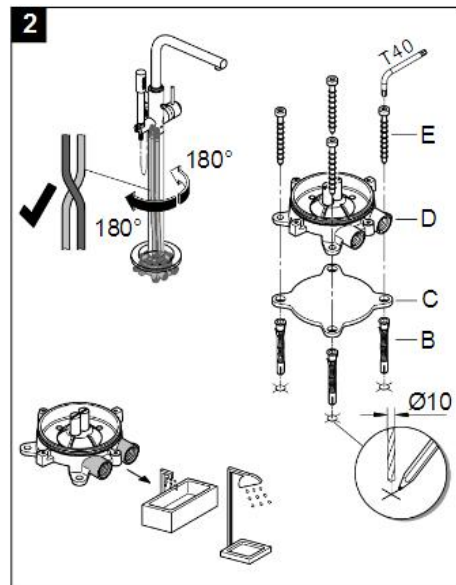
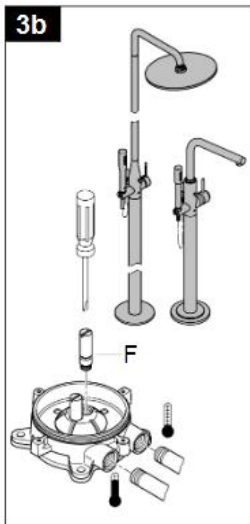
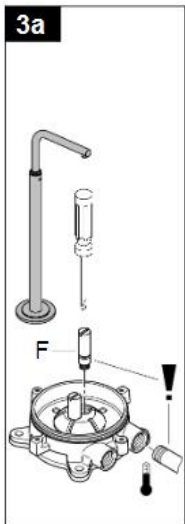
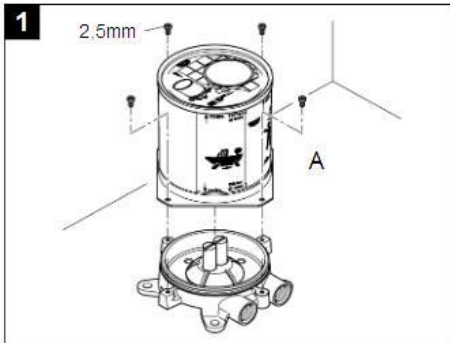
Note:

* All information of the above is for the reference only. No prior notice is made if any changes.



PROJECT		REF		REV	ITEM CODE	
LOCATION		DATE			PAGE	

SANITARY WARE SPECIFICATION SHEET



Note:

* All information of the above is for the reference only. No prior notice is made if any changes.

註冊號碼 (Registration No.): SB 18-0030




自願參與用水效益標籤計劃 - 沐浴花灑
Voluntary Water Efficiency Labelling Scheme - Showers for Bathing



茲證明
This is to certify that

將下列花灑在本計劃內註冊：
has registered the following shower under this scheme :

牌子 / Brand	:	GROHE
型號 / Model	:	26465XXX
原產地 / Country or Region Origin	:	Germany

在用水效益標籤上展示的標誌 <i>Symbolic Presentation on the Water Efficiency Label</i>	:		滴水點 <i>Water droplet(s)</i>
用水效益級別 <i>Water Efficiency Grade</i>	:	1	
耗水量 <i>Water Consumption</i>	:	6.3	公升/分鐘 <i>litres/minute</i>

簽發日期:
Date of Issue: 14 February 2018

 水務署
Water Supplies Department



水務署署長(周世威代行)
for Director of Water Supplies